

ST37 Steam Boiler

7000-24000 kg/hour

Cochran's ST37 Low NO_x packaged steam boiler is a horizontal three pass wet back design constructed in accordance with BS EN 12953. When fitted with compliant Cochran, or equivalent, combustion equipment, the boiler meets the latest European environmental legislation, the Medium Combustion Plant Directive (MCPD).

It also complies with the requirements of the Factories Act (1961) and Guidance on Safe Operation of Boilers Ref: BG01 developed by the Safety Assessment Federation (SAFED) and the Combustion Engineering Association (CEA). In addition, the ST37 is UKCA, UKNI+CE or CE marked to meet the requirements of the Pressure Equipment Directive (PED), Low Voltage; Electro-Magnetic Compliance & Machinery Safety Directives. Throughout the manufacturing process, this boiler is subject to inspection by a leading Independent Insurance Company, in addition to Cochran's own ISO 9001-compliant quality procedures.

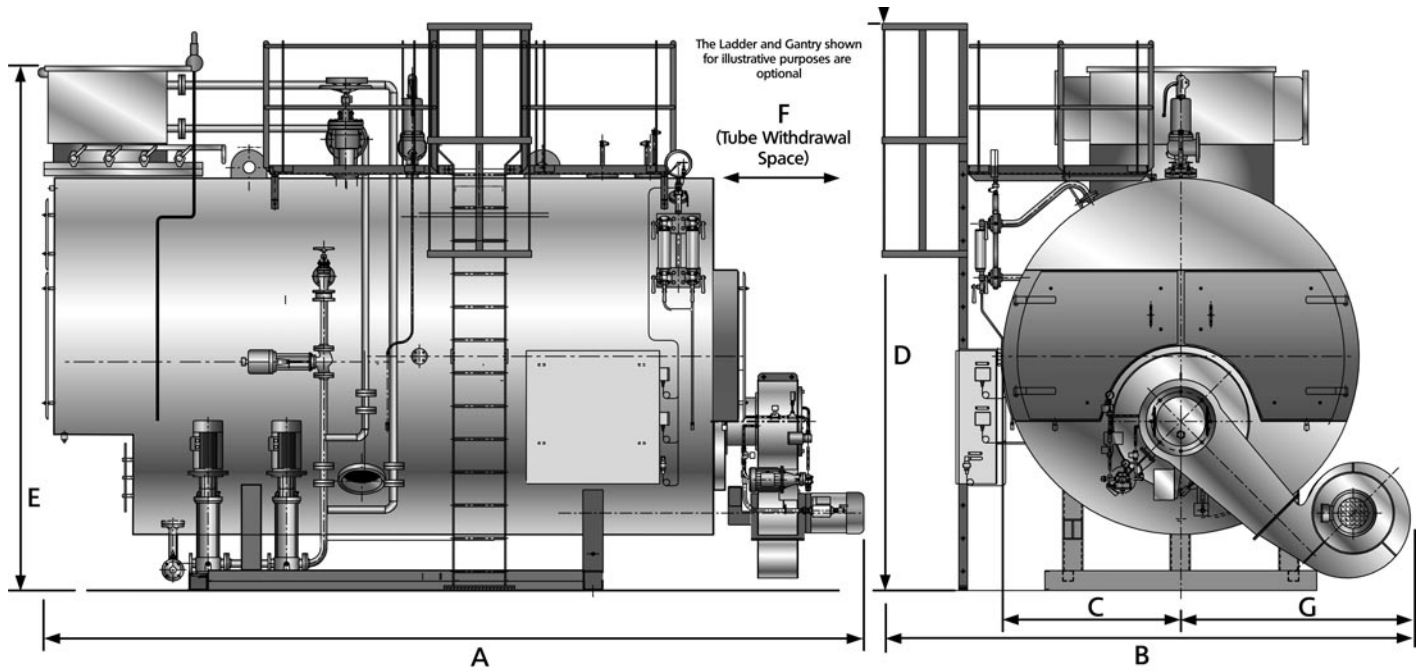
Cochran's ST37 packaged steam boiler offers the following key features and optional upgrades:

- Capable of achieving NO_x emissions of 70-80 mg/Nm³ for natural gas firing.
- Further NO_x reductions achievable with the introduction of flue gas recirculation.
- UKCA, UKNI+CE or CE marked, horizontal three-pass, wet-back boiler design developed from Cochran's world-renowned Thermax range.
- Designed and constructed in accordance with the latest European environmental legislation. BS EN 12953 and MCPD compliant, subject to other plant and equipment within the boilerhouse.
- Output range of 7000 kg/hr to 24000 kg/hr F&A 100°C at a nett efficiency of up to 95%.
- Normal operating pressure 10 Barg, with options up to 30 Barg.
- Features Cochran's low NO_x burners as standard.
- Wide range of combustion and control packages, superheater and economiser options.
- Turndown of up to 7:1.
- Cochran Eclipse or Synergy Touchscreen HMI with Modbus interface and remote access capability.
- Variable speed drives for FD Fan and Feed water pump motors help deliver low noise levels and reduce power consumption.
- Enhanced insulation for lower touch temperature.



ST37 Steam Boiler

7000-24000 kg/hour



ST37 Boiler Model		ST37-7	ST37-8	ST37-9	ST37-10	ST37-12	ST37-14	ST37-16	ST37-18	ST37-20	ST37-22	ST37-24
Rating F&A 100°C	kg/hr	7000	8000	9000	10000	12000	14000	16000	18000	20000	22000	24000
Dimensions	A mm	6649	6941	6766	7055	8022	7710	8213	8224	8674	8952	9202
	B mm	4303	4481	4561	4561	4798	4923	5035	5566	5566	5986	5986
	C mm	1402	1484	1539	1539	1651	1727	1750	1897	1897	1970	1970
	D mm	4531	4699	4807	4807	5056	5112	5175	5354	5354	5515	5515
	E mm	4116	4724	4832	4832	5081	5137	5177	5379	5379	5540	5540
	F mm	4740	5040	4740	5140	5900	5750	5750	5760	6210	6510	6760
	G mm	1720	1816	1841	1841	1966	2015	2104	2488	2488	2835	2835
Min Transport Width	mm	2872	3036	3146	3146	3370	3522	3568	3862	3862	4008	4008
Min Transport Height	mm	3441	3609	3717	3717	4016	4072	4112	4124	4124	4285	4285
Rec Chimney Dia	mm	550	600	650	660	720	800	865	900	945	1000	1020
Stop Valve Dia	mm	125	150	150	150	200	200	200	200	250	250	250
Safety Valve Size	mm	50	65	65	65	65	80	80	80	100	100	100
Safety Valve Outlet Dia	mm	80	100	100	100	125	125	125	125	150	150	150
Blowdown Valve Dia	mm	50	50	50	50	50	50	50	50	50	50	50
Feed Pump Inlet Dia	mm	40	50	50	50	50	50	50	50	50	65	65
Weight Empty	Tonnes	21.8	27.8	28.5	30.3	35.6	39.7	42.9	43.3	47.7	58.3	59.6
Weight to NWL	Tonnes	36.3	45.5	45.6	48.8	60.8	64.7	66.3	76.5	80.0	95.1	97.8
Weight Full	Tonnes	39.3	49.2	49.4	52.8	67.0	71.4	72.9	84.6	88.8	104.9	108.0

Note: All Dimensions and weights are approximate only and are based on a boiler working pressure of 10 BarG, other design pressures available.
Table data includes use of an economiser, but no gas bypass and no hood.

+44(0) 1461 202 111 www.cochran.co.uk

Newbie Works, Annan, Dumfries & Galloway, UK DG12 5QU.

Whilst this information is given in good faith, no warranty or representation is given concerning such information which must not be taken as establishing any contractual or other commitment binding upon Cochran Group Ltd Company or any of its subsidiary associated companies. ©2021 Cochran Ltd. Version 2 02/21

