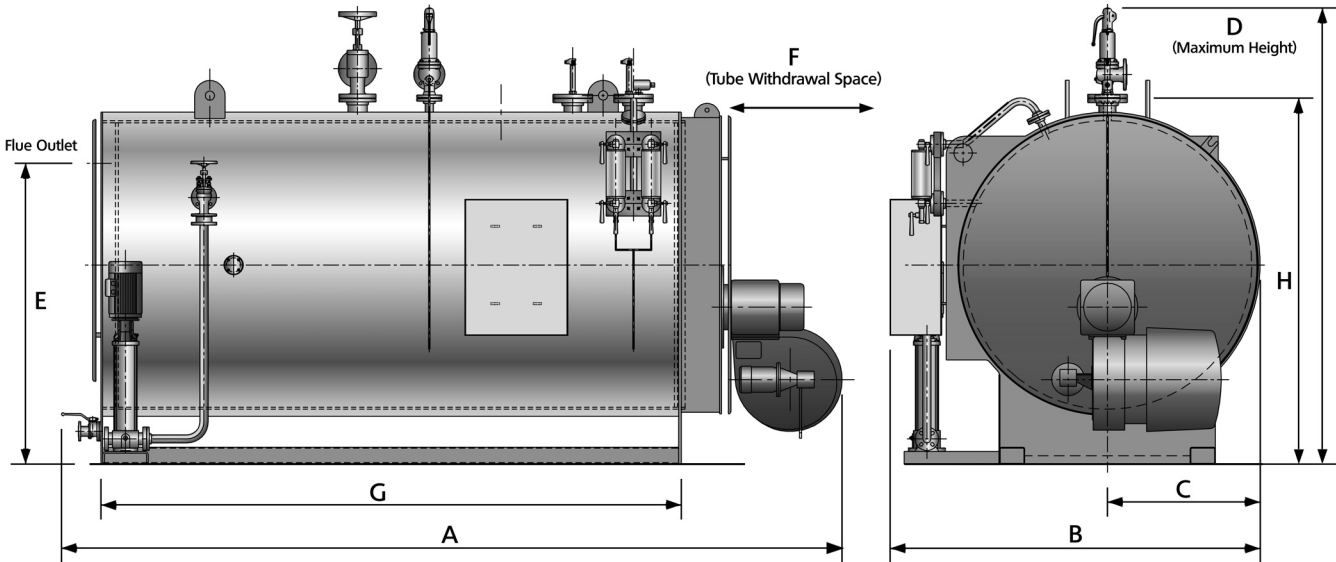


ST25 Series

British built Packaged Steam Boiler

The 100% British built Cochran ST25 range offers the right combination of performance and integrity for users worldwide. Compliant with the latest stringent European emissions standards when fitted with an economiser, this well-proven three pass wetback design delivers outputs of 500kg/hr up to 500kg/hr. This range of boilers are used extensively in the Textiles and Pharmaceuticals sectors, as well as Distilleries, Chemical Plants, Hospitals, CHP and a host of other applications requiring reliable and flexible steam production and comes with a wide range of combustion and control packages and economiser options.



Outputs (F&A 100°C): 500 kg/hr to 6500 kg/hr. Standard Working Pressures: 10 Bar and 17 Bar.

All Cochran steam boiler designs are available from 6 Bar up to 28 Bar.

ST25 Boiler Model		-1	-2	-3	-4	-5	-6	-7	-8	-9	-10	-11	-12	-13	-14	-15	-16		
Evaporation	kW	313	470	627	784	940	1097	1254	1567	1881	2194	2507	2821	3134	3448	3761	4075		
F&A 100°C (212°F)	kg/h	500	750	1000	1250	1500	1750	2000	2500	3000	3500	4000	4500	5000	5500	6000	6500		
	lb/h	1102	1653	2205	2756	3307	3859	4410	5512	6615	7717	8820	9922	11025	12127	13230	14332		
Fuel Consumption																			
Gas, with Economiser fitted	m ³ /h	34.4	51.8	69.6	86.7	102.6	124.9	137.1	171.7	206.7	239.8	274.1	310.5	343.0	377.5	410.0	440.8		
Oil Fired	l/h	34.9	52.5	70.2	88.1	105.8	128.3	139.7	175.0	209.6	245.5	282.4	320.5	350.8	388.5	418.5	540.1		
Dimensions	Oil A	mm	3085	3185	3285	3335	3385	3435	3908	4264	4478	4478	4765	4765	4961	4951	4731	5168	
		Gas A	mm	2953	3205	3305	3547	3619	3669	4129	4370	4773	4773	4873	4873	5069	5059	4942	5168
	B	mm	1505	1540	1660	1633	1678	1760	1828	1955	2155	2155	2403	2403	2487	2496	2599	2598	
	C	mm	580	615	675	675	688	725	760	805	905	905	1010	1010	1055	1064	1125	1124	
	D	mm	1774	1862	2062	2116	2141	2216	2330	2420	2698	2698	2908	2908	3054	3073	3195	3138	
	E	mm	1159	1208	1395	1383	1395	1465	1528	1593	1768	1768	1960	1960	2042	2056	2170	2096	
	Tube Withdrawal	F	mm	1665	1765	1865	2065	2115	2165	2625	2960	3195	3195	3295	3295	3491	3481	3545	3771
		G	mm	1810	1910	2010	2210	2260	2310	2770	3085	3340	3340	3440	3440	3636	3626	3690	3916
H	mm	1438	1508	1708	1708	1733	1808	1878	1968	2168	2168	2378	2378	2467	2486	2608	2551		
Rec. Chimney Dia.	mm	162	205	230	255	280	290	305	355	405	405	440	440	455	465	480	515		
Sfy. Valve Exh. Dia.	BSP/mm	32	32	32	40	40	40	40	50	65	65	65	65	80	80	80	80		
Strm. Stop Valve Dia.	BSP/mm	40	50	50	65	65	65	80	80	100	100	100	100	125	125	125	125		
Blow Down Valve Dia.	mm	25	25	25	25	25	25	25	25	25	25	25	25	25	50	50	50		
Feed Water Inlet Dia.	mm	25	25	25	25	25	25	25	32	32	32	32	32	32	32	40	40		
Weight - Empty	Tonnes	1.86	2.36	2.77	2.99	3.35	3.75	4.47	5.59	7.65	7.65	9.08	9.08	11.77	13.04	15.06	16.62		
Weight to NWL	Tonnes	2.64	3.25	3.93	4.20	4.61	5.22	6.45	7.96	10.98	10.98	13.28	13.28	18.83	21.51	25.03	27.51		
Weight - Full of Water	Tonnes	2.81	3.46	4.20	4.50	4.93	5.59	6.94	8.59	11.88	11.88	14.60	14.60	21.03	24.35	28.53	32.18		

Note: All Dimensions and weights are approximate only and are based on a boiler working pressure of 10 BarG, other design pressures available.

+44(0) 1461 202 111 www.cochran.co.uk

Cochran Ltd Newbie Works, Annan, Dumfries & Galloway, UK DG12 5QU.

©2021 Cochran Ltd. Version 1 08/2021

