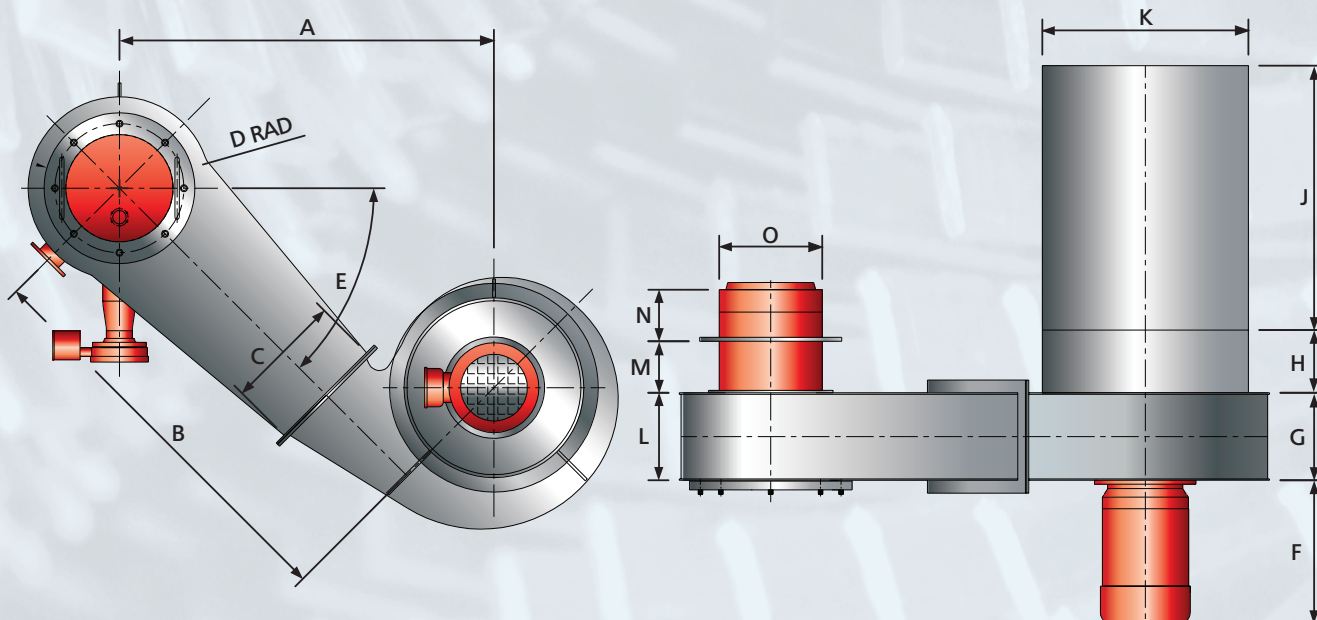


Cochran Burners

Equinox 4000-16,000 kW Oil & Gas/Dual Fuel Fired Burners

Cochran's EquiNox combustion and control equipment is suitable for firing both oil and gaseous fuels. Delivering efficient fuel combustion and low NOx emissions throughout the firing range, EquiNox also provides direct drive to all fuel and air valves via independent servo motors. Digital combustion control is standard on every EquiNox burner.



Boiler Outputs	kg/hr	5600	6000	6300	6800	7260	7710	8170	8620	9070	10210	11340	13610	15880	
Boiler Frame Size		6	7	8	9	10	11	12	13	14	15	16	17	18	
Dimensions	A	mm	1199	1199	1199	1293	1293	1293	1320	1320	1363	1363	1498	1583	1656
	B	mm	1320	1320	1320	1400	1400	1400	1400	1400	1500	1500	1580	1650	1770
	C	mm	330	330	330	378	378	378	378	378	378	378	584	654	
	D	mm	295	295	295	315	315	315	340	340	365	365	390	440	
	E	degrees	45°	45°	45°	45°	45°	45°	45°	45°	45°	40°	38°	33°	
	F	mm	495	495	495	495	495	495	495	495	495	495	495	557	
	G	mm	264	264	264	302	302	302	302	302	302	302	315	412	
	H	mm	258	258	258	269	269	269	269	269	269	269	275	274	
	J	mm	900	900	900	1120	1120	1120	1120	1120	1120	1200	1200	1250	
	K	mm	550	550	550	710	710	710	710	710	710	762	762	780	
	L	mm	264	264	264	302	302	302	302	302	302	302	318	412	
	M	mm	190	190	190	190	190	240	240	240	240	240	240	265	
	N	mm	180	180	180	180	180	180	180	180	180	180	180	187	
	O	mm	323	323	323	356	356	356	406	406	406	457	457	508	

Options: Remote monitoring and data logging - accessible via Internet; O2 Trim; Exhaust Gas Monitoring; and Integral Gas Leak testing.

+44(0) 1461 202 111 www.cochran.co.uk

Cochran Ltd Newbie Works, Annan, Dumfries & Galloway, UK DG12 5QU. ©2015 Cochran Ltd. Version 3 03/2015

