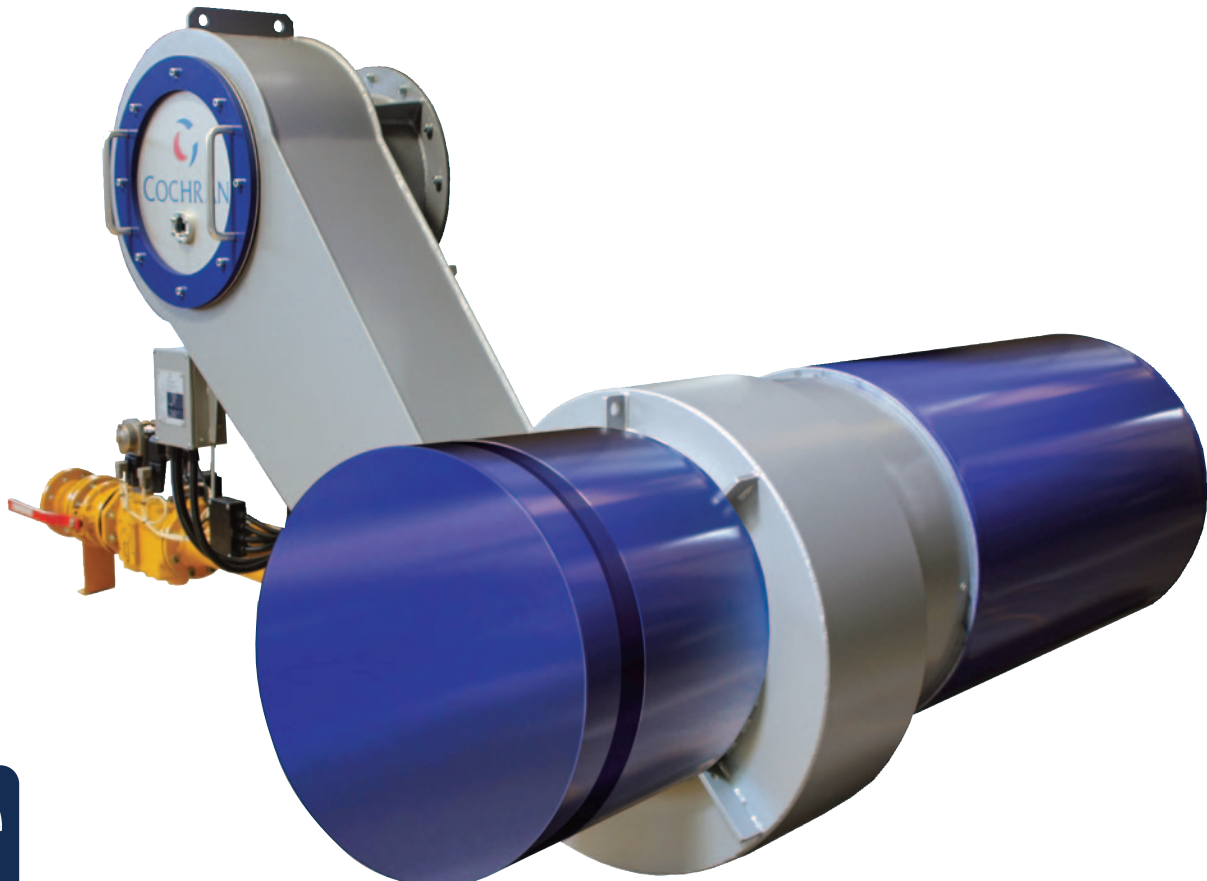


**Natural wear and tear, tough operating conditions and irregular maintenance can take their toll. Since boiler shells usually outlast other boiler plant, it makes sense to upgrade the ancillary plant during its working life. Burners are often replaced so that a new fuel can be used, such as converting from traditional heavy oil or coal, to natural gas or diesel.**

Cochran's design feature our unique combustion head, efficient combustion and low NO<sub>x</sub> throughout the firing range. Fully modulating options available throughout the range on all fuel types and combinations. Digital combustion systems can be incorporated into the burner control package. Subject to other plant and equipment within the boilerhouse, Cochran's Equinox burners are MCPD compliant.

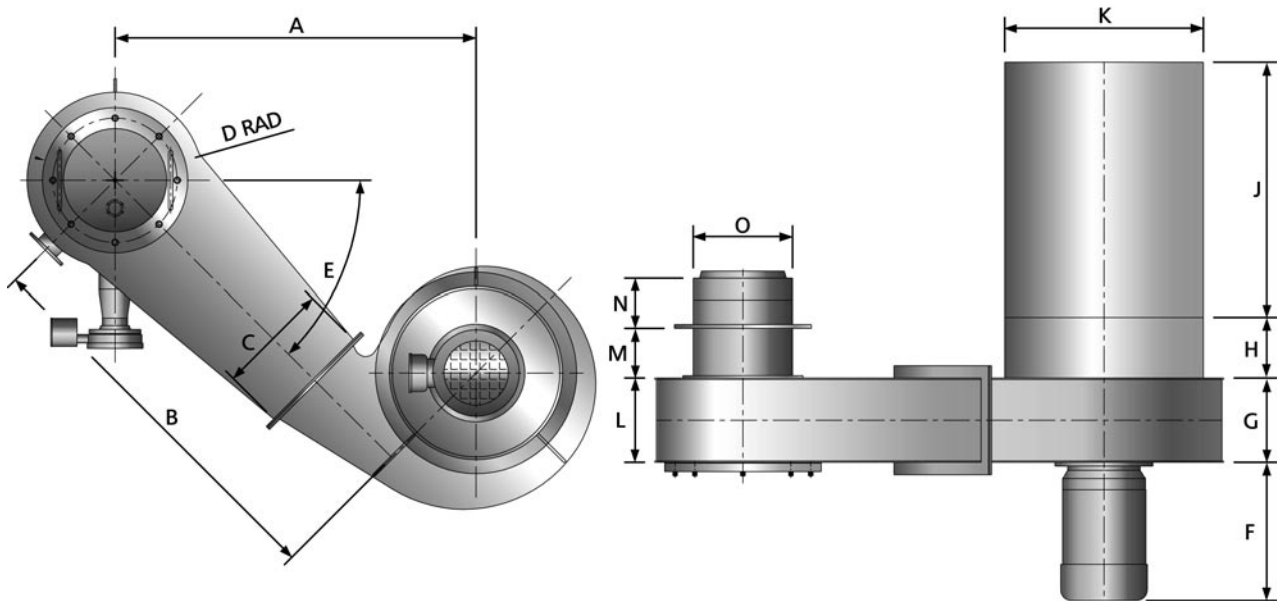
**Cochran's Equinox burners offer the following key features:**

- Suitable for both gaseous fuels and dual oil/gas firing.
- Delivers efficient fuel combustion and low NO<sub>x</sub> emissions throughout the firing range.
- Provides direct drive to all fuel and air valves via independent servo motors.
- Digital combustion control is standard on Equinox burners.
- Suitable for operation and control using modern boiler management systems, such as Cochran's touch screen Synergy and Eclipse boilerhouse operation technology.
- NO<sub>x</sub> emissions less than 100 mg/nm<sup>3</sup> for Gas and less than 200 mg/nm<sup>3</sup> for Oil, meaning that subject to other plant and equipment within the boilerhouse, Equinox burners are MCPD compliant.
- Ideal for a broad spectrum of furnace applications, including kilns and dryers, as well as a wide variety of industrial steam and hot water boiler brands.
- Variable speed drives options are available.



# Equinox Burners

# 4000-16000 kW



## Equinox Gas and Dual Fired Burners

Boiler Outputs	kg/hr	5600	6000	6300	6800	7260	7710	8170	8620	9070	10210	11340	13610	15880	
Boiler Frame Size		6	7	8	9	10	11	12	13	14	15	16	17	18	
Dimensions	A	mm	1199	1199	1199	1293	1293	1293	1320	1320	1363	1363	1498	1583	1656
	B	mm	1320	1320	1320	1400	1400	1400	1400	1400	1500	1500	1580	1650	1770
	C	mm	330	330	330	378	378	378	378	378	378	378	374	584	654
	D	mm	295	295	295	315	315	315	340	340	365	365	390	390	440
	E	degrees	45°	45°	45°	45°	45°	45°	45°	45°	45°	45°	40°	38°	33°
	F	mm	495	495	495	495	495	495	495	495	495	495	495	495	557
	G	mm	264	264	264	302	302	302	302	302	302	302	302	315	412
	H	mm	258	258	258	269	269	269	269	269	269	269	269	275	274
	J	mm	900	900	900	1120	1120	1120	1120	1120	1120	1120	1200	1200	1250
	K	mm	550	550	550	710	710	710	710	710	710	710	762	762	780
	L	mm	264	264	264	302	302	302	302	302	302	302	302	318	412
	M	mm	190	190	190	190	190	240	240	240	240	240	240	240	265
	N	mm	180	180	180	180	180	180	180	180	180	180	180	180	187
	O	mm	323	323	323	356	356	356	406	406	406	406	457	457	508
Turndown Gas Firing (STD)			4.0 : 1	4.0 : 1	4.0 : 1	4.0 : 1	4.0 : 1	4.0 : 1	4.5 : 1	4.5 : 1	4.5 : 1	4.5 : 1	5.0 : 1	5.0 : 1	5.0 : 1
Turndown Gas Firing (VSD)			5.0 : 1	5.5 : 1	5.0 : 1	5.0 : 1	6.0 : 1	6.0 : 1	6.0 : 1	6.0 : 1	6.0 : 1	6.5 : 1	6.5 : 1	6.5 : 1	7.0 : 1
Turndown Oil Firing (STD)			3.7 : 1	4.0 : 1	3.7 : 1	4.0 : 1	3.8 : 1	3.7 : 1	3.9 : 1	3.7 : 1	3.9 : 1	4.0 : 1	3.8 : 1	4.0 : 1	4.0 : 1
Typical Noise Level - dBa 1m from Burner			77/78	77/78	77/78	77/78	77/78	77/78	77/78	77/78	77/78	77/78	77/78	77/78	77/78

**Options:** Remote monitoring and data logging - accessible via Internet; O<sub>2</sub> Trim; Exhaust Gas Monitoring; and Integral Gas Leak testing.

**+44(0) 1461 202 111 [www.cochran.co.uk](http://www.cochran.co.uk)**

Newbie Works, Annan, Dumfries & Galloway, UK DG12 5QU.

Whilst this information is given in good faith, no warranty or representation is given concerning such information which must not be taken as establishing any contractual or other commitment binding upon Cochran Group Ltd Company or any of its subsidiary associated companies. ©2019 Cochran Ltd.

