

# HW29 Hot Water Boiler

# 450-4100 kW

**Cochran's HW29 horizontal three pass reverse flame hot water boiler is constructed in compliance with BS EN 12953, and when fitted with compliant combustion equipment, the boiler meets the latest European environmental legislation and the Medium Combustion Plant Directive (MCPD). This model is suitable for both low and high temperature applications.**

The boiler is designed to meet the current UK building regulations with gross seasonal efficiency of over 86% and complies with the requirements of the Factories Act (1961) and with HSE and UK Inspection Authority requirements. In addition, the Boiler is CE Marked to meet the requirements of the Pressure Equipment; Low Voltage; Electro-Magnetic Compliance; and Machinery Safety Directives. Throughout the manufacturing process, this boiler is subject to inspection by a leading Independent Insurance Company, in addition to Cochran's own ISO 9001-compliant quality procedures.

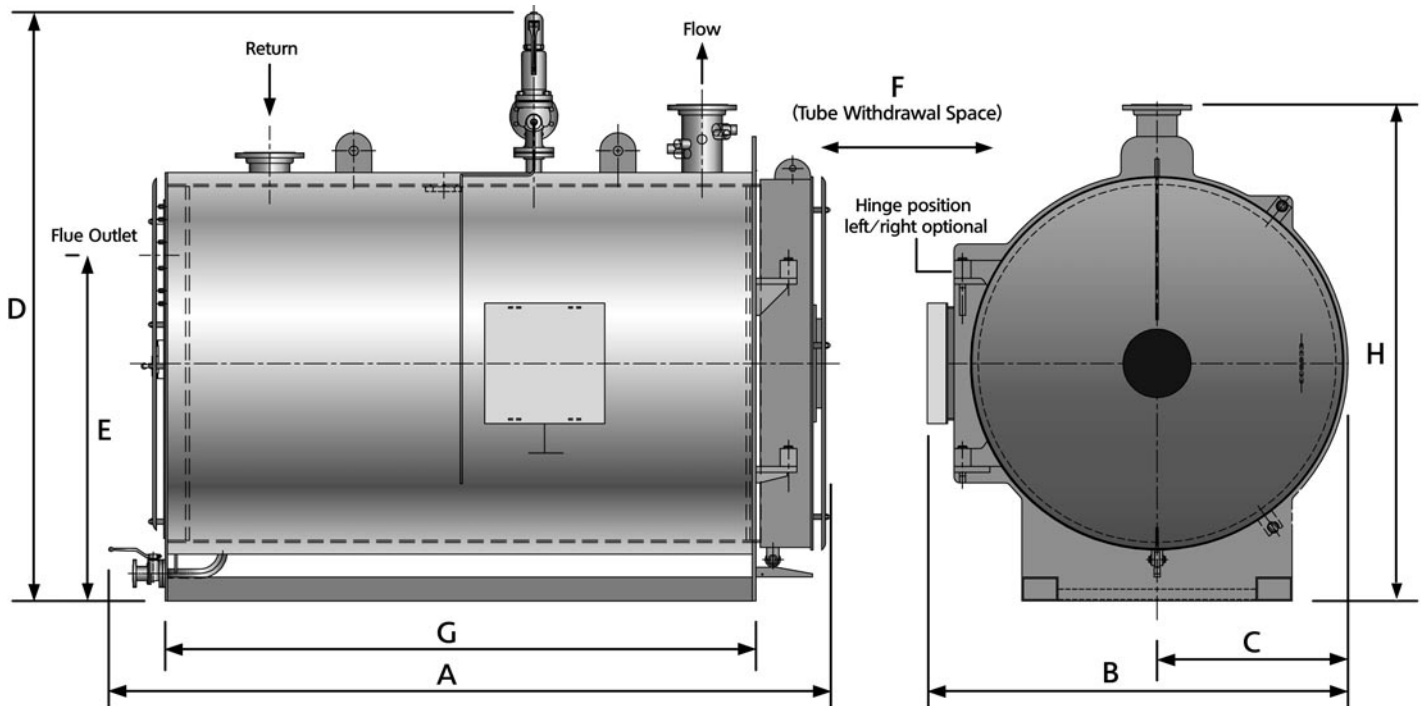
**Cochran's HW29 packaged hot water boiler offers the following key features and optional upgrades:**

- A compact, fully wet-back hot water boiler range, developed to meet today's demands for higher operational efficiencies and lower emissions.
- Provides energy saving, low emissions solutions for commercial and industrial applications.
- Normal operating pressure is 5.25 Barg, with options up to 10 Barg.
- Wide range of combustion, control packages and economiser options.
- Turndown of up to 6:1.
- Variable speed drives for FD Fan motor helps deliver low noise levels and reduce power consumption.



# HW29 Hot Water Boiler

# 450-4100 kW



HW29 Boiler Model		HW29-1	HW29-2	HW29-3	HW29-4	HW29-5	HW29-6	HW29-7	HW29-8	HW29-9	HW29-10	HW29-11
Output	kW	450	650	900	1200	1400	1650	2000	2500	3000	3500	4100
Length	A mm	2287	2509	2600	2674	2799	2977	3209	3505	3785	4055	4316
Width	B mm	1433	1573	1625	1835	1835	1997	2100	2233	2283	2177	2305
	C mm	575	640	687.5	795	795	860	925	925	950	950	1028
	D mm	1873	2003	2183	2398	2398	2583	2713	2713	2893	2893	3048
	E mm	1125	1250	1317	1440	1440	1505	1695	1695	1705	1705	1855
Boiler Tube Withdrawal	F mm	1705	1905	2005	2080	2205	2380	2605	2905	3185	3455	3719
	G mm	1858	2058	2158	2233	2358	2535	2760	3060	3340	3610	3874
	H mm	1628	1758	1853	2068	2068	2198	2328	2328	2378	2378	2533
Rec. Chimney Dia	mm	170	190	230	275	300	325	375	405	450	475	500
Flow Connection Dia	mm	100	100	100	125	125	125	150	150	200	200	200
Return Connection Dia	mm	100	100	100	125	125	125	150	150	200	200	200
Safety Valve Size	mm	32	32	40	40	40	50	50	50	65	65	80
Safety Valve Outlet Dia	mm	50	50	65	65	65	80	80	80	100	100	125
Drain Valve Dia	mm	25	25	25	25	25	25	25	25	25	25	25
Weight Empty	Tonnes	3.0	3.2	3.6	4.1	4.1	5.0	5.7	5.9	7.5	8.2	8.9
Weight Full	Tonnes	3.8	4.3	4.8	6.2	6.2	7.3	8.6	9.2	11.0	11.4	13.8

**Notes:**

1. All dimensions and weights are approximate only and are based on a boiler with a working pressure of 5.25 BarG.
2. The weights include an allowance for the combustion equipment.

**+44(0) 1461 202 111** [www.cochran.co.uk](http://www.cochran.co.uk)

Newbie Works, Annan, Dumfries & Galloway, UK DG12 5QU.

Whilst this information is given in good faith, no warranty or representation is given concerning such information which must not be taken as establishing any contractual or other commitment binding upon Cochran Group Ltd Company or any of its subsidiary associated companies. ©2019 Cochran Ltd.

