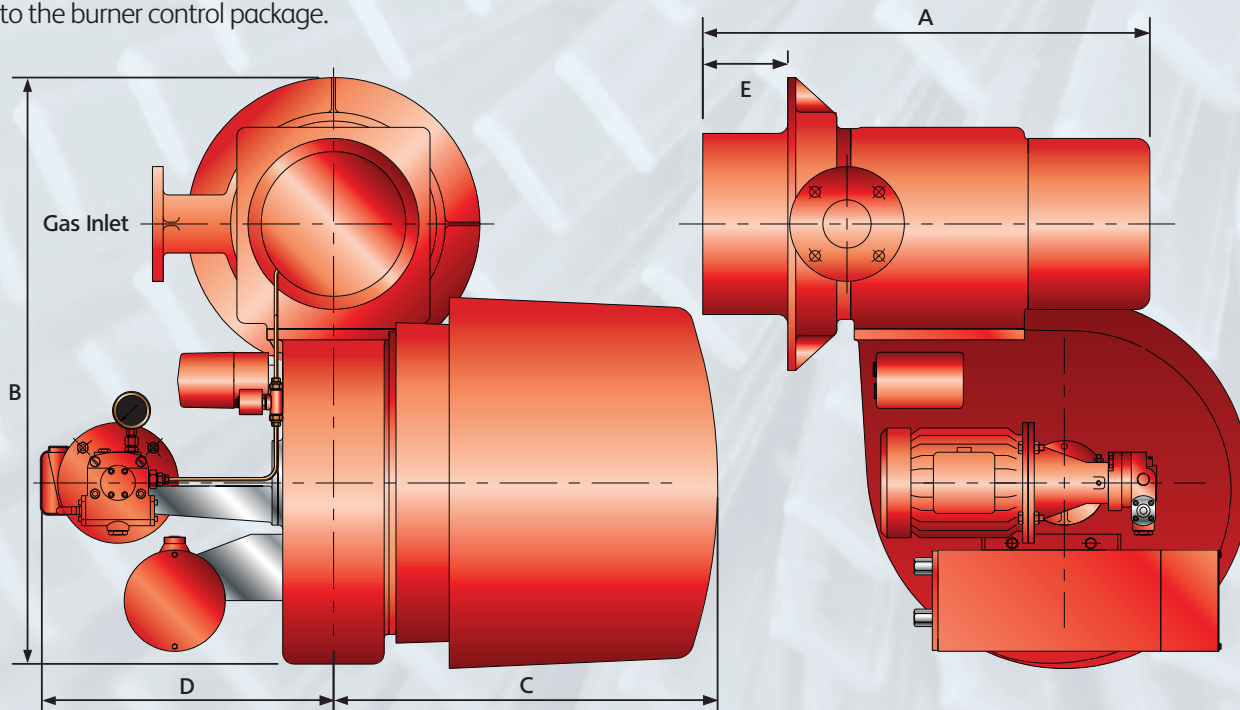


Cochran Burners

Simplex and Triplex 450-4500 kW Oil & Gas/Dual Fuel Fired Burners

Cochran combustion and control equipment suitable for firing oil or gas/dual fuel. The designs feature Cochran's unique combustion head, efficient combustion and low NOx throughout the firing range. Fully modulating options available throughout the range on all fuel types and combinations. Digital combustion systems can be incorporated into the burner control package.



Oil Fired Burners

Suitable for viscosities from 35 SRNI to 4200 SRNI as per BS 2869

Burner Size			16 Two Stage	17 Two Stage	17 Three Stage	23 Three Stage	23 Modulating
Dimensions	A	mm	830	880	907	1106	1060
	B	mm	715	729	729	932	916
	C	mm	595	620	678	853	855
	D	mm	420	420	483	388	340
	E	mm	191	191	191	191	178
Maximum Input		kW	1650	3100	3100	3980	4300
Turndown			2 : 1	2 : 1	3 : 1	3 : 1	3 : 1
Operation			Hi/Lo	Hi/Lo	Hi/Med/Lo	Hi/Med/Lo	Modulating
Typical Noise Level - dBa 1m from Burner			80	83/84	83/84	84-87	84-87
Approximate Burner Weight		Kg	158	192	190	215	215

Gas and Dual Fired Burners

Burner Size			16 Two Stage	17 Two Stage	17 Three Stage	23 Three Stage	23 Modulating
Dimensions	A	mm	827	876/851	907	1074	1060
	B	mm	684	729	729	932	916
	C	mm	595	620	678	853	855
	D	mm	420	420	483	388	340
	E	mm	166	166/141	141	141	178
Maximum Input		kW	1650	3100	3100	3980	4300
Turndown			2 : 1	2 : 1	3 : 1	3 : 1	3 : 1
Operation			Hi/Lo	Hi/Lo	Hi/Med/Lo	Hi/Med/Lo	Modulating
Typical Noise Level - dBa 1m from Burner			80	83/84	83/84	84-87	84-87
Approximate Burner Weight		Kg	184	220	230	250	240

Options: Two stage stepped combustion; Three stage stepped combustion; Electro/mechanical fully modulating.

+44(0) 1461 202 111 www.cochran.co.uk

Cochran Ltd Newbie Works, Annan, Dumfries & Galloway, UK DG12 5QU. ©2015 Cochran Ltd. Version 3 03/2015

